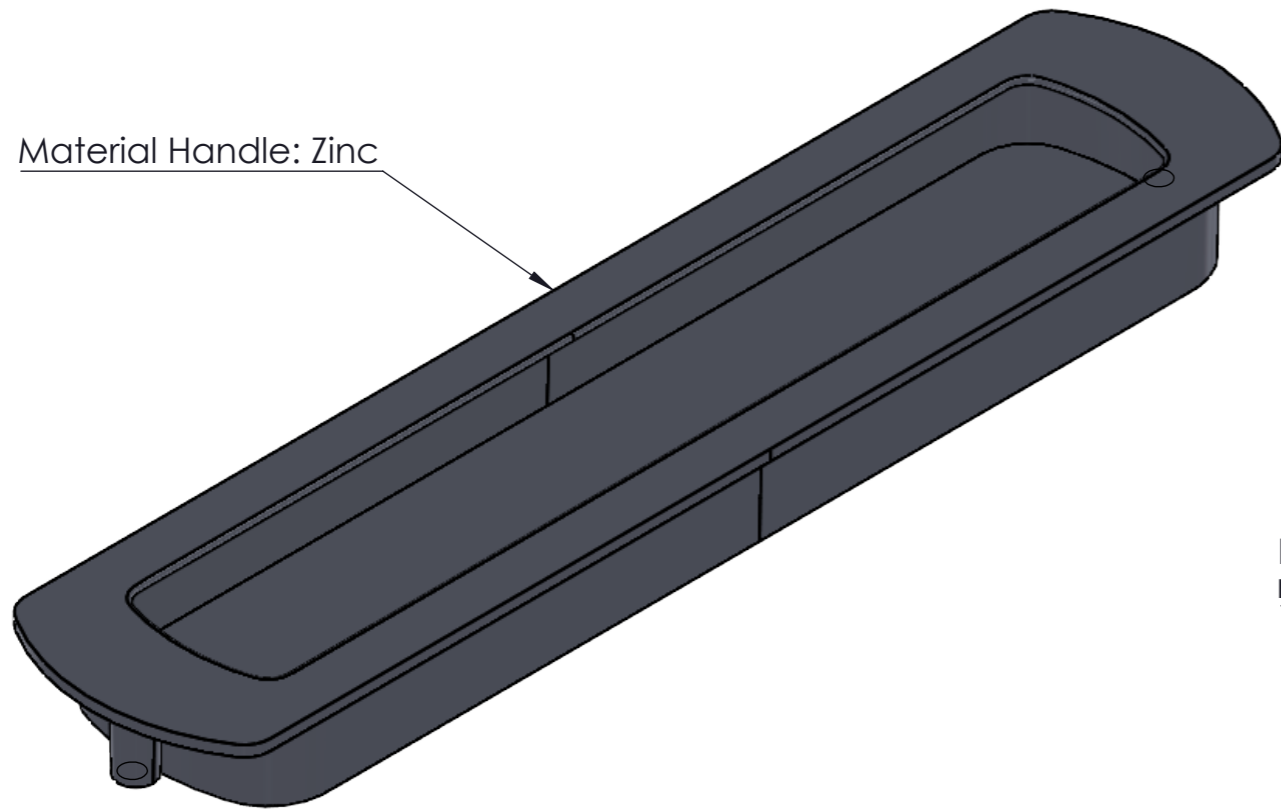


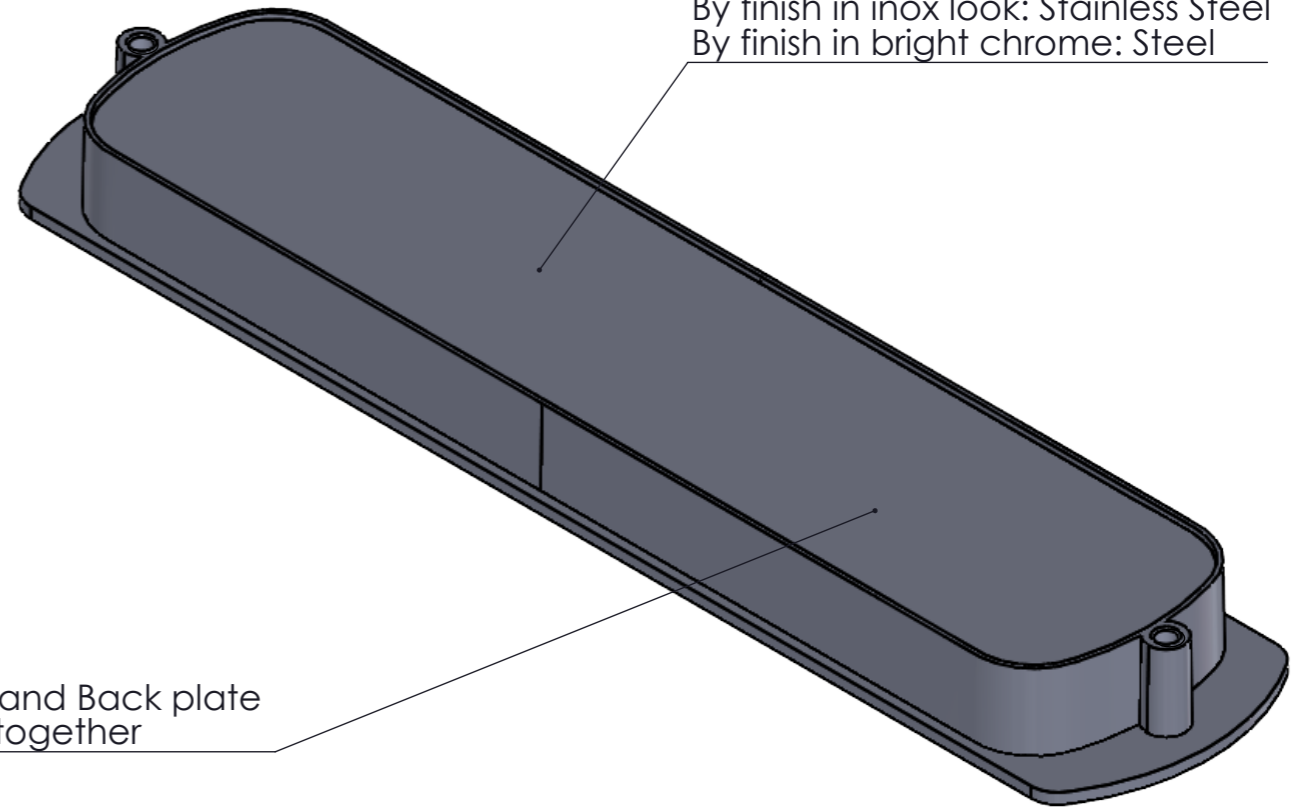
Part name: RECESSED HANDLE LUX	Projection: 	Sheet format: A3	Tolerance unless otherwise specified DS/ISO 2768-1M																	
Designer:	Drawn by: ps date 7. februar 2013	Scale: 1:1	<table border="1"> <tr> <th>Linear dimensions:</th> <th>0-3</th> <th>3-6</th> <th>6-30</th> <th>30-120</th> <th>120-400</th> <th>400-1000</th> <th>1000-2000</th> </tr> <tr> <td></td> <td>±0,1</td> <td>±0,1</td> <td>±0,2</td> <td>±0,3</td> <td>±0,5</td> <td>±0,8</td> <td>±1,2</td> </tr> </table>		Linear dimensions:	0-3	3-6	6-30	30-120	120-400	400-1000	1000-2000		±0,1	±0,1	±0,2	±0,3	±0,5	±0,8	±1,2
Linear dimensions:	0-3	3-6	6-30	30-120	120-400	400-1000	1000-2000													
	±0,1	±0,1	±0,2	±0,3	±0,5	±0,8	±1,2													
Part no.: 532160192	Sheet 1 of 2	<table border="1"> <tr> <th>Angle</th> <th>Radius</th> </tr> <tr> <td>±0,5°</td> <td>±5%</td> </tr> </table>			Angle	Radius	±0,5°	±5%												
Angle	Radius																			
±0,5°	±5%																			
Material:	Weight:	furnipart® Delta 2 Phone: +45 87 64 35 00 DK-8382 Hinnerup E-mail: fp@furnipart.com																		
COPYRIGHT: THIS DRAWING MAY NOT BE COPIED OR REPRODUCED IN ANY WAY WITHOUT DIRECT PERMISSION FROM FURNIPART A/S																				

Rev.:	Date:	Name:	Description:
A	12-01-2021	MCH	New drawing made based on old, radius added

Material Handle: Zinc



Material Back plate:
By finish in inox look: Stainless Steel
By finish in bright chrome: Steel



Handle and Back plate riveted together

Rev.:	Date:	Name:	Description:

Part name:	Projection: 	Sheet format: A3	Tolerance unless otherwise specified DS/ISO 2768-1M						
Designer:	Drawn by:	Scale: 1:1	Linear dimensions:						
Part no.: 532160192	Sheet 2 of 2		0-3	3-6	6-30	30-120	120-400	400-1000	1000-2000
Material:	Weight:		±0,1	±0,1	±0,2	±0,3	±0,5	±0,8	±1,2
			Angle		Radius				
			±0,5°		±5%				
			furnipart®						
			Delta 2		Phone: +45 87 64 35 00		E-mail: fp@furnipart.com		
			DK-8382 Hinnerup						
COPYRIGHT: THIS DRAWING MAY NOT BE COPIED OR REPRODUCED IN ANY WAY WITHOUT DIRECT PERMISSION FROM FURNIPART A/S									